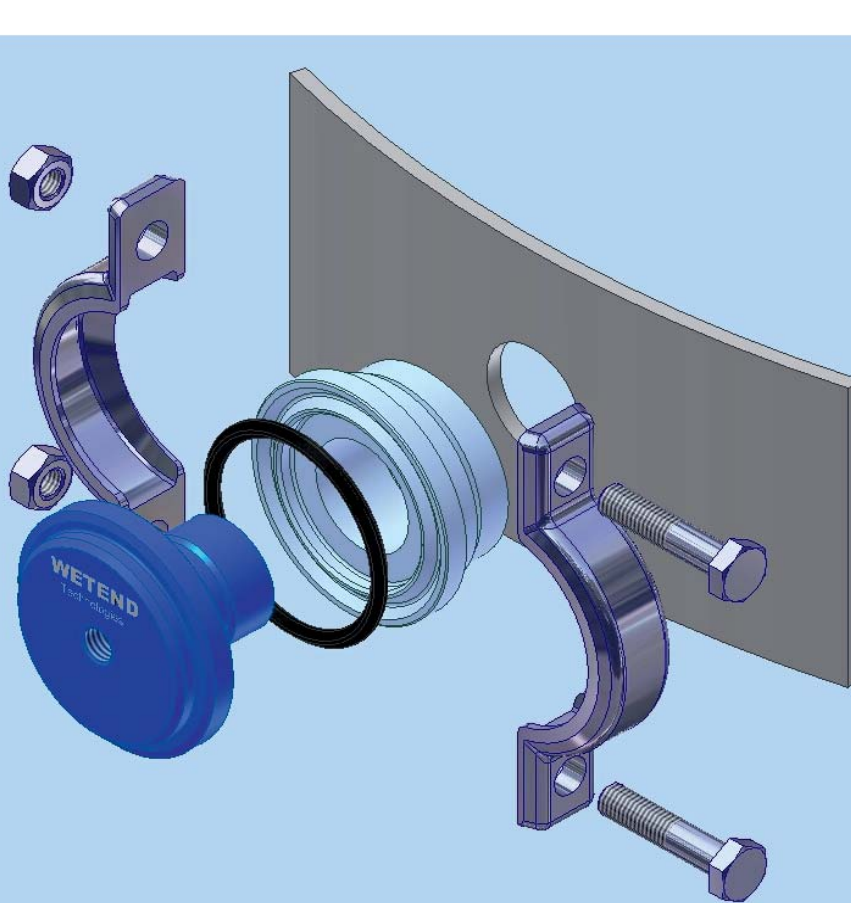
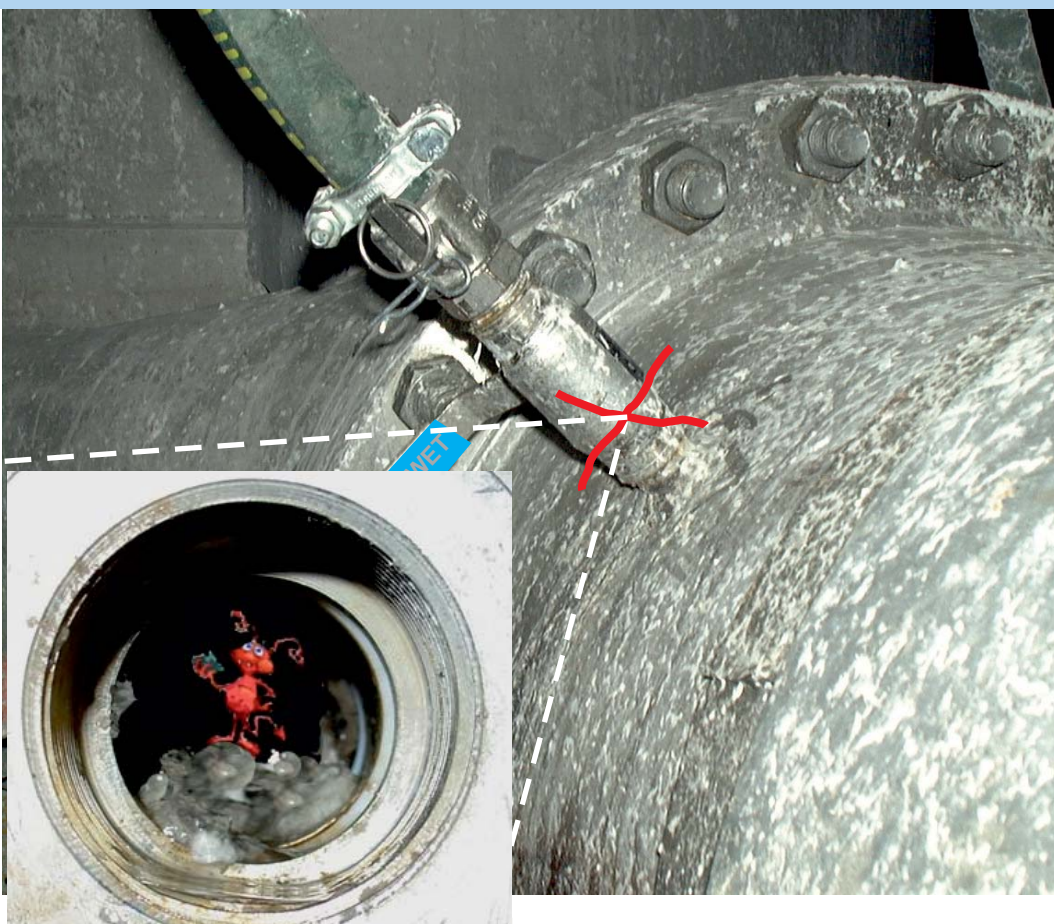




Web Break Eliminator



**Wetend Flush-fit
Sleeve&Plug**
series
helps to prevent
web breaks
and get clean process
BEST FOR PAPER



Flush-fit Sleeve&Plug

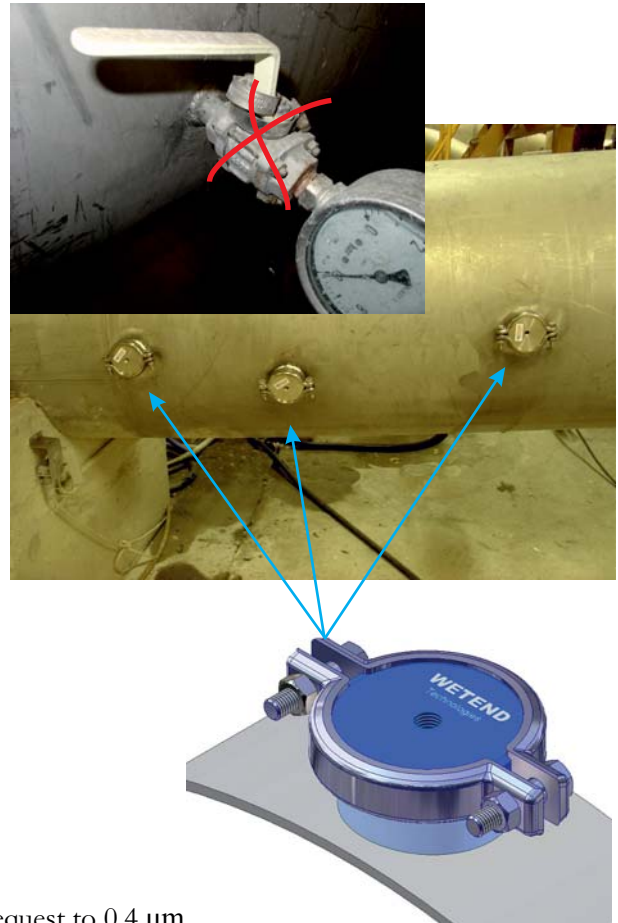
**A new, simple
and effective
system to
prevent
web breaks
and improve
cleanliness**

Web break eliminator: Wetend Flush-fit Sleeve&Plug Series

A blind pocket of an unused small inlet or outlet connection or just a simple sampling valve can be full of old stock, dirt and biological activity. It is a probable reason for daily web breaks. Flush-fit Sleeves&Plugs can be used to remove the unused connections. It will improve cleanliness, runnability and quality.

The headbox approach pipe - starting from machine screen and continuing to the headbox manifold - is often provided with shut-off sampling valves, unused blind connections and unused additive dosing connections. Small blind pocket behind the valve is full of old stock and deposits with high biological activity. Frequently this pocket is sending forward into the main flow bursts of dirt and slimy material. This may be one of the main reasons for daily web brakes

Wetend Technologis has developed a series of flush mounted, tight, flush-fit **Wetend Sleeve&Plug** assemblies to remove the blind spots from the approach pipe. A special tool set for cutting and assembly is supporting the product. In most of the cases the assembly work can be done during a short shutdown. The final outcome will be a polished, smooth, tight, flush-fit plug break eliminator - it eliminates the blind spots completely. If necessary, the removed connection can be taken back to the service by installing a handy **WetValve** into the **Sleeve&Plug** assembly.



Several sizes are available

The range of connections is from 35 mm to 210 mm.

Material stainless steel: plug face polished to Ra 0,8 µm, by request to 0,4 µm

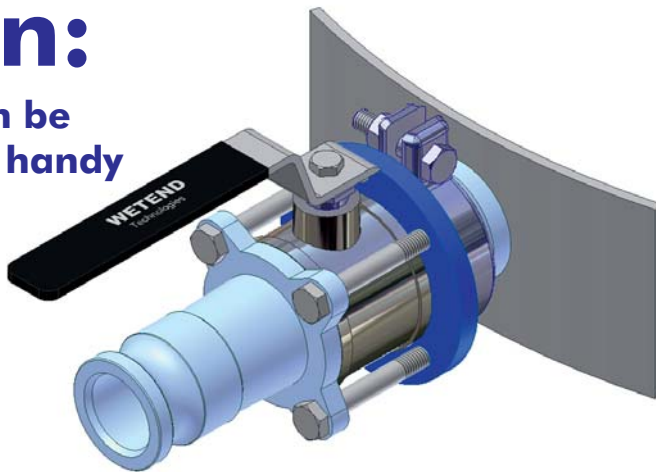
FEATURES AND BENEFITS

- ” Removes blind pockets of process pipes
- ” Reduces web breaks
- ” Reduces holes in the sheet
- ” Improves system cleanliness
- ” Reduces biological activity
- ” Improves runnability
- ” Smooth, flush-fit, polished design
- ” Sleeve&Plug parts are easy to install
- ” Erection time from 30 min to 2 hours
- ” Assembly and erection can be done externally outside the process pipe
- ” Can be returned back to service with handy WetValves



WetValves fit in:

If needed, a removed connection can be taken back to service by installing a handy WetValve Sleeve&Plug assembly.



Wetend tools make it simple and easy

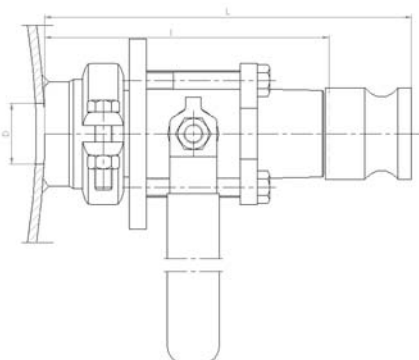
Polished, fine surfaces require special attention to work with. A set of tools and specialized hole-saw devices by Wetend Technologies Ltd are designed for quick and simple removal of old connections and installation of new Flush-fit Sleeve&Plugs. New openings are made by the hole-saw-drivers, leaving a fine surface with no need for re-polishing. Installation of the Flush-fit Sleeve&Plugs can be done from 30 min up to 2 hours. There are two different sizes of the hole-saw drives available. The hole saw drives are for rent.



Hole-saw-drive for openings 35 mm



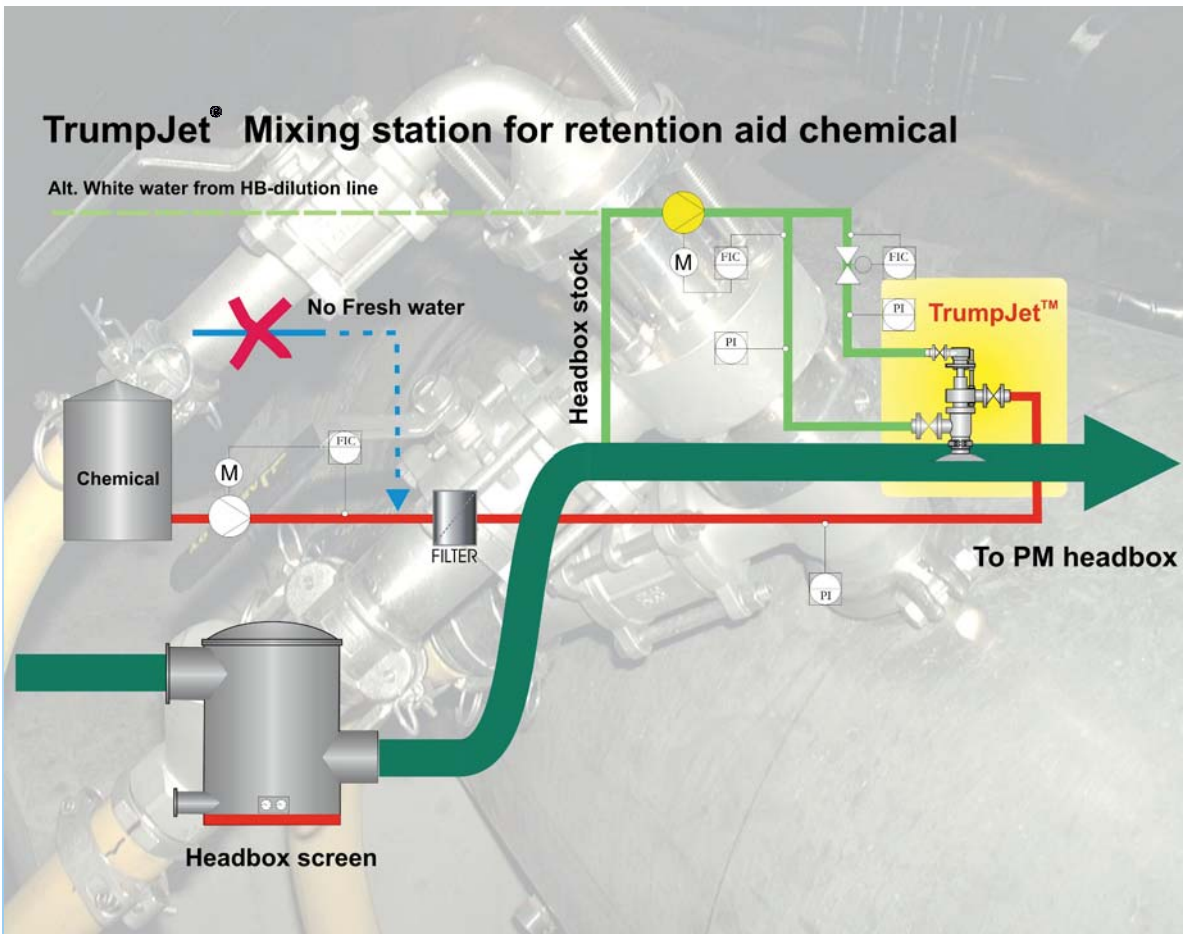
Hole-saw-drive for openings 51...213 mm



The parts are finalized by order. The pipe outer diameter and wall thickness information are required for final manufacturing.

For a proposal please measure the diameter of the outer weld of the existing connection, that will be removed. The drilling is be made outside the weld circle.

Model	Size (mm)	Size (in)	Diameter of opening (mm)	Joining pipe out/in (mm)	WetValve	D (mm)	L (mm)	I (mm)
Wet35	DN35	1,5	35	35	DN20	20	190	155
					DN40	35	215	165
Wet50	DN50	2	51	50	DN50	51	290	230
Wet65	DN65	2,75	70	76/70	by special order			
Wet80	DN80	3	83	89 / 84	by special order			
Wet100	DN100	4	108	114 / 108	by special order			
Wet125	DN125	5	133	140 / 133	by special order			
Wet150	DN150	6	160	169 / 160	by special order			
Wet200	DN200	8	210	213 / 210	by special order			



Wetend Technologies Ltd

Wetend Technologies Ltd operates globally serving the paper industry worldwide through own resources and locally together with agents and representatives. Home and technology base is in Finland. Wetend Technologies Ltd is located in the city of Savonlinna in eastern part of Finland where the company holds office, and assembly shop premises. Also new facilities for process and product development have been recently opened to support technology and product development operations.

Wetend Technologies Ltd is a worldwide supplier of chemical and additive mixing systems with TrumpJet® injection technology for paper mills including paper and board machine wet end, stock preparation, recycled fiber and mechanical pulping process applications.

We supply complete mixing systems for various papermaking chemicals and additives. The TrumpJet® injection technology provides the process with immediate and efficient mixing resulting to very homogenous sheet, better quality of paper and improved runnability. The system can reduce chemical consumption and improve e.g. retention and sizing. Injection and mixing is made with circulated process media, normally with headbox stock - fresh water savings are given.

Wetend Technologies offers developed services for papermills to analyze and optimize injection and use of additives in the paper-making process. We provide also mechanical and process field service for our equipment and processes to ensure optimum performance.

Wetend Technologies Ltd
Kaartilantie 7
57230 Savonlinna
Finland

Tel. 358 10 836 0100
Fax 358 10 836 0120
www.wetend.com



Wetend Technologies Ltd has protected TrumpJet® Technology processes and products with several patents and patent applications in numerous countries.

TrumpJet® is a registered trademark and property of Wetend Technologies Ltd. FI reg. no. 234001.

Please note: This brochure is a general product presentation. It does not provide a warranty or guarantee of any kind. Please, contact us for a description of the warranties and guarantees offered with our products. Directions for use and safety will be given separately. All information herein is subject to change without notice.